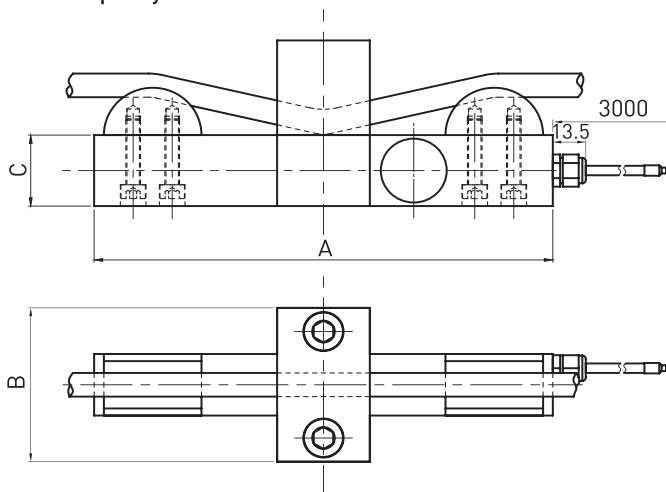


F9204



Size and Capacity



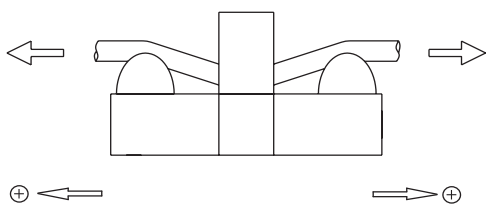
Features & Applications

- Rope tension sensor
- Made of alloy steel
- Easy to install and operate
- IP66 protection
- Used for rope tension measurement

Steel cable tension (t)	CAP.(t)	Steel cable diameter	A	B	C	Material	Weight
1	1	Ø6-14	164	60	28	Alloy steel	1.5kg
2	1	Ø6-14	164	60	28		1.8kg
3.5	1.8	Ø10-18	188	65	30		2.2kg
5	2.5	Ø16-24	182	68	34		2.4kg
10	5	Ø24-36	200	80	40		3.7kg
20	10	Ø24-36	240	90	45		5.9kg
30-40	15-20	Ø34-48	310	130	52		11.2kg

Technical Parameters

Load Direction



Specifications	Technique
Rated output	4~20mA
Power	12~36VDC
Combined error in the application	±3% F.S.
Zero balance	±2% F.S.
Non-linearity	0.5% F.S.
Hysteresis	0.5% F.S.
Repeatability	0.5% F.S.
Creep (30min)	0.05% F.S.
Temp. effect on output	0.025% F.S. / 10°C
Temp. effect on zero	0.025% F.S. / 10°C
Insulation	≥5000MΩ / 50VDC
Recommended excitation	24V
Compensated temp. range	-10~60°C
Operation temp. range	-20~80°C
Safe overload	150% F.S.
Ultimate overload	200% F.S.
Cable size	Ø4 × 3000 mm
Protection class	IP66
Cable color code	4-20mA(2-wire) Input/Output: Red(E+/S+) Black(E-/S-)