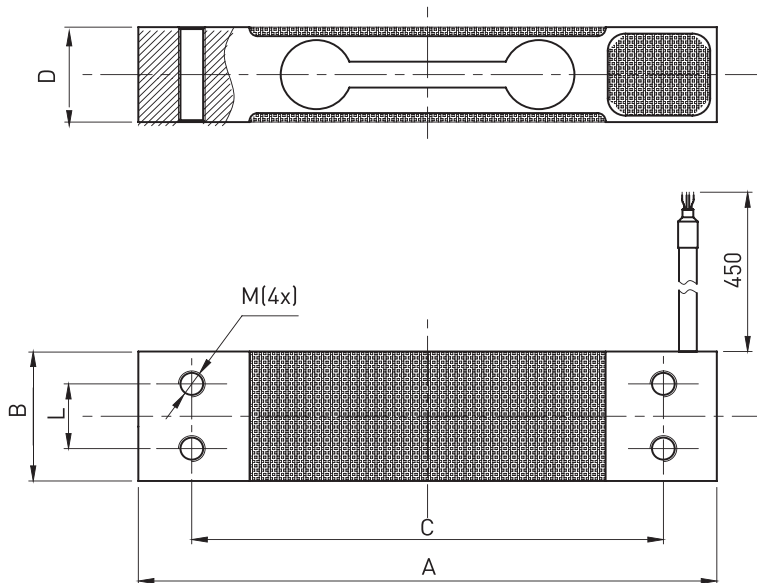


Size and Capacity



CAP (kg)	SIZE (mm)						Material	Weight
	A	B	C	D	L	M		
3/4/5/6/8/10/15/20/25/30/40/45/50	130	30	106	22	15	M6	Aluminum alloy	0.3kg
60/100/150/200/250	130	50	106	22	25	M8		0.4kg

Technical Parameters

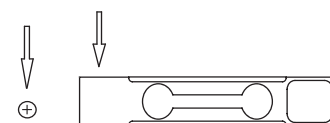
Specifications	Technique
Rated output	2.0 ± 10% mV/V
Zero balance	± 2% F.S.
Non-linearity	0.02% F.S.
Hysteresis	0.02% F.S.
Repeatability	0.02% F.S.
Creep (30min)	0.02% F.S.
Temp. effect on output	0.02% F.S. / 10°C
Temp effect on zero	0.02% F.S. / 10°C
Input impedance	410 ± 10 Ω
Output impedance	350 ± 5 Ω
Insulation	≥2000MΩ / 100VDC
Recommended excitation	10V
Maximum excitation	15V
Compensated temp. range	-10 ~ 40°C
Operation temp. range	-20 ~ 60°C
Safe overload	150% F.S.
Ultimate overload	200% F.S.
Cable size	Ø4 × 450 mm
Platform size	250 × 300 mm
Protection class	IP65
Cable color code	Input: Red(+) Black(-); Output: Green(+) White(-);



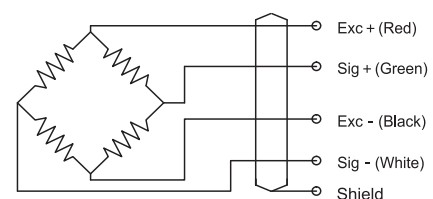
Features & Applications

- Single point load cell
- Made of anodized aluminum alloy, high side load tolerance, IP65
- High accuracy, the minimum capacity is 3kg
- Designed for electronic scales and platform scales where only one load cell can be used and low profile is required
- Mainly used for pricing scales, counting scales and other weighing devices

Load Direction



Schematic Wiring Diagram



Note: Cable shield is not connected to element.