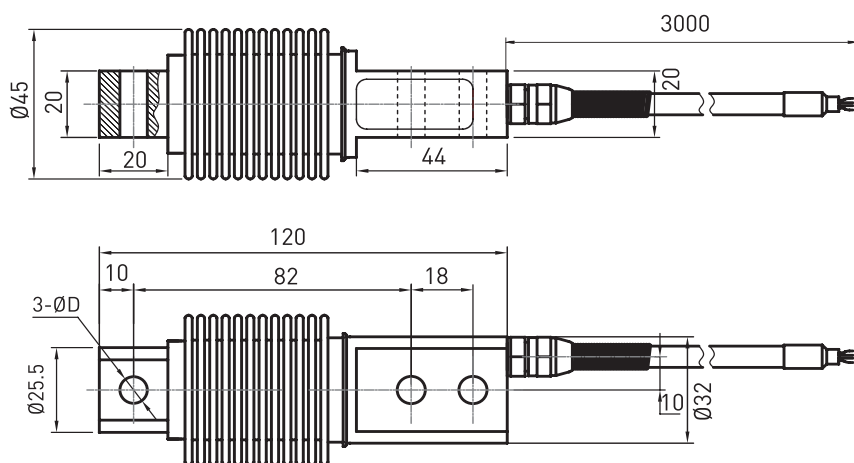


Size and Capacity



CAP (kg)	SIZE(mm)	D	Material	Weight
5/10/20/30/40/50/75/100/150/200/250		8.2	Stainless steel	0.6kg
300/500		10.2		

Technical Parameters

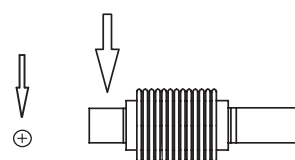
Specifications	Technique
Rated output	2.0 ± 1% mV/V
Zero balance	± 2% F.S.
Non-linearity	0.02% F.S.
Hysteresis	0.02% F.S.
Repeatability	0.02% F.S.
Creep (30min)	0.03% F.S.
Temp. effect on output	0.03% F.S. / 10°C
Temp. effect on zero	0.03% F.S. / 10°C
Input impedance	385 ± 10Ω
Output impedance	350 ± 5Ω
Insulation	≥5000MΩ / 100VDC
Recommended excitation	10V
Maximum excitation	15V
Compensated temp. range	-10 ~ 60°C
Operation temp. range	-20 ~ 80°C
Safe overload	150% F.S.
Ultimate overload	200% F.S.
Cable size	Ø5 × 3000 mm
Protection class	IP 68
Cable color code	Input: Red(+) Black(-); Output: Green(+) White(-);



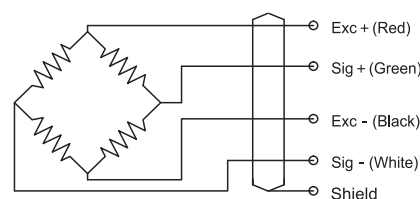
Features & Applications

- Bell type shear beam
- Made of stainless steel
- Welded-on metal bellows, IP68
- Max. capacity: up to 0.5t
- Mainly used for small hopper scales, packing scales, feeder machines, platform and pallet scales

Load Direction



Schematic Wiring Diagram



Note: Cable shield is not connected to element.