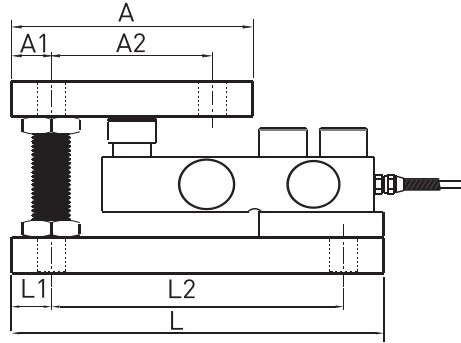


AZK02



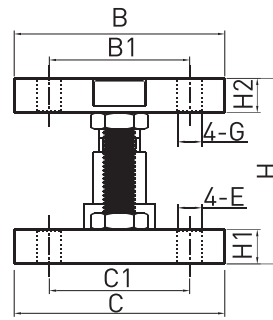
Size and Capacity



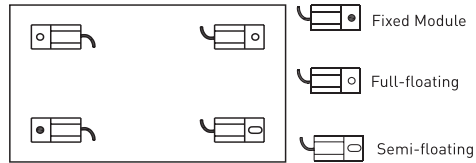
The module doesn't include sensor

Features & Applications

- Made of stainless steel or alloy steel
- Suitable for sensor F3831
- Mainly used for floor scales, vehicle-test line, hopper scales, platform and pallet scales

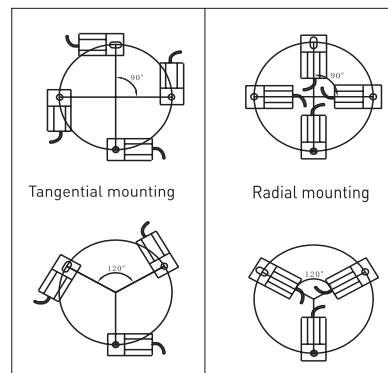
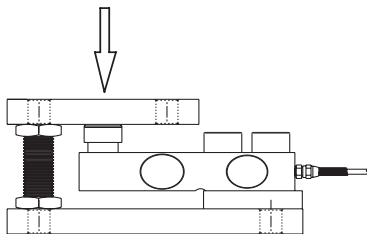


Mounting

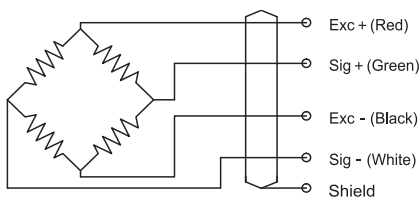


Note: Junction box B6578 is required for trimming of a signal.

Load Direction



Schematic Wiring Diagram



Capacity (t)	Material	Weight
0.5/1/1.5/2/2.5	Stainless steel	7.0kg
2.5/3/5/7.5/10	Alloy steel	

Capacity(t)	L	L1	L2	A	A1	A2	B	B1	C	C1	H	H1	H2	G	E
0.5/1/1.5/2/2.5	177.8	12.7	152.4	114.3	12.7	88.9	113.3	88.9	114.3	88.9	104.8	19	25.4	Φ11	Φ11
3/5	235	25.4	184.2	152.4	25.4	101.6	152.4	101.6	152.4	101.6	136.5	25	31	Φ17.5	Φ17.5
7.5/10	355.6	25.4	304.8	203.2	25.4	152.4	203.2	152.4	203.2	152.4	190.5	44.5	44.5	Φ20.6	Φ20.6

Note: Cable shield is not connected to element.